

# StarBoard TE-QS2

---

# INTERACTIVE DISPLAY



## StarBoard Advanced Touch Technology

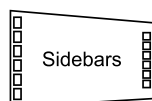
The StarBoard Interactive Flat Panel Displays provide the latest in infrared touch technology and the features you need to meet the demands of active presentation and training environments. The iconic sidebars part of the Starboard signature; help educators and presenters orientate themselves whilst in the Starboard software environment, making the experience easy to use and intuitive. The large interactive surface offers an incredible image and is an excellent platform for both classroom education and business training applications.

### Proven Touch Screen Technology

Allows your choice of multi-finger touch, stylus pen or pointer response which can be used for writing, drawing and navigation.



Android 11



User friendly orientating sidebars



Compatible with Windows, Mac OS and Linux



Built in 15w Speakers

# StarBoard TE-QS2

## Specifications

Model TE-QS2	
Display	
Display Sizes	65'' 75'' 86''
Resolution	3840x2160
Active Area (mm)	65'': 1428.48x803.52 (64.53'')
	75'': 1650.24x928.26 (74.52'')
	86'': 1895.04x1065.9 (88.56'')
Glass	4mm tempered glass
View angle	178°
Aspect ratio	16:9
Brightness	450 cd/m2
Contrast	65'': 5000:1
	75'': 5000:1
	86'': 5000:1
Colors	10 Bit + FRC (1.07 Billion)
Resolution supported	1024x768 / 1280x720 /
	1280x960 / 1280x1024 /
	1360x768 / 1440x900 /
	1600x1200 / 1920x1080 /
	3840x2160
Response time	<8 ms

Android specification	
System	Android 11
GPU	G52*4
CPU	A53*4@1.5GHz
RAM	2G (Max 2G) DDR3
ROM	16G
Bluetooth	5.00

Touch specification	
Working temp.	0°C – 40°C
Touch points	Up to 20 Points
Writing mode	Finger or pen
Touch Technology	INFRARED
Accuracy	<2 mm
Positioning Res.	4096x4096/16384x16384/32768x32768
Response time	<8ms
Cursor speed	>180 dot/Sec
Comm. Port	USB

Input / Output connections				
	Back input	Front input	Back output	OPS *
WIFI	1 (5G)			
RJ45	1			
Touch Port	1			
HDMI 2.0	2	1		1
VGA	1			1
Audio	1			1
RS232	1			
SD Card	N/A			
YPbPr	1			
DP	1			
HeadPhone			1	
AV	1			
COXIAL			1	
USB 2.0	2	2		
Touch USB	1	1		1
USB 2.0	2	3 ( 1 of them 3.0)		
USB Type-C		1		

\* OPS is based on an Intel Core i5 processor witch is an optional extra.

Power specification	
Standby	<1 W
Rated	65'': 140W
	75'': 160W
	86'': 180W
Voltage range	AC (100-240) V-50/ 60Hz

OPS consumption not included

General	
Weight (N.W)	65'': 42 Kg
	75'': 55.0 Kg
	86'': 71 Kg
Weight (G.W)	65'': 55 Kg
	75'': 71 Kg
	86'': 94 Kg
Packaging dimensions	65'': 1646x1074x240 mm
	75'': 1873x1204x240 mm
	86'': 2120x1353x240 mm
Product dimensions	65'': 1507.2x914.9x89 mm
	75'': 1729.4x89.2x1040 mm
	86'': 1975.6x1178.7x89.2 mm
Life span	50.000 Hours

StarBoard Solution GmbH  
Wittestraße 30, Haus J • 13509 Berlin • GERMANY  
Email: Berlin@starboard-solution.com

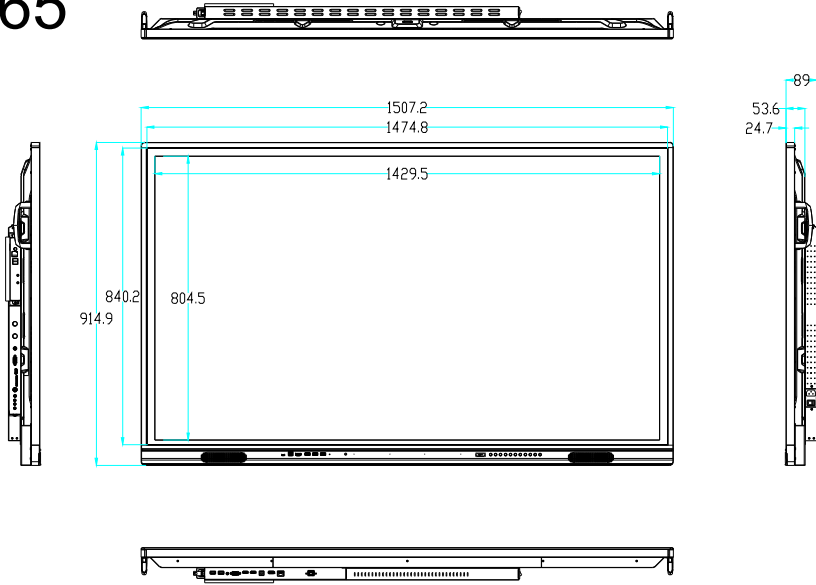
[www.starboard-solution.eu](http://www.starboard-solution.eu)



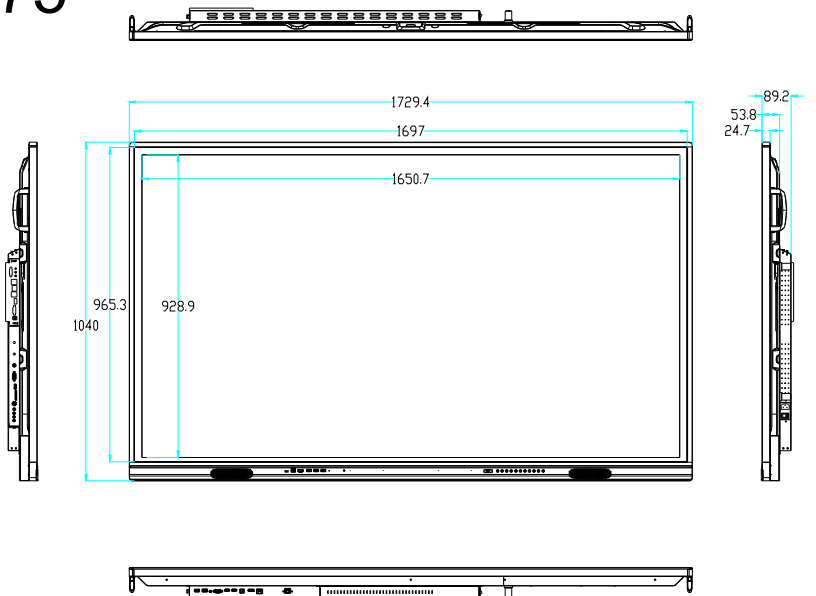
**StarBoard**<sup>®</sup>  
INTERACTIVE SINCE 2001

# StarBoard TE-QS2

65"



75"



86"

